

TOOL BOX TALKS

Job Site Guardrails

Construction Slip, Trip and Fall Prevention



Job site falls are preventable and construction personnel need to choose the safest means of protecting employees from fall hazards. Guardrails are inexpensive, quick and can be installed in many situations. Guardrails can be made on the job site from lumber or manufactured systems. Review these job site guardrail safety tips with your employees.

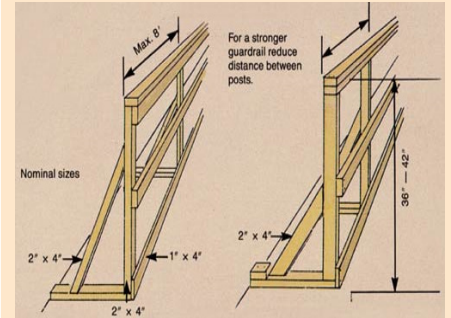
Tool Box Tips

Guardrail Specification—Lumber

- Top board must hold 200 pounds of lateral force.
- Mid rail must hold 150 pounds of lateral force.
- Toe board must hold 50 pounds of lateral force.
- Must be made of good quality two by four inch material free of knots, splits or damage.
- Toe board must be used when using tools or objects because it can fall to the level below and strike another employee.
- Steel or plastic banding cannot be used.

Guardrail Specification—Cable

- The top rail must not sag lower than 39 inches.
- Cable cannot sag more than two inches in a 20 foot span.
- Cable must be flagged every six feet with highly visible material.
- Cable diameter must not be less than ¼ inch alloy steel.
- Cable tensioning devices must support 10,000 pounds.
- Use wire rope clips correctly. “Never saddle a dead horse.” Don’t cinch the clip’s saddle on the dead-end of the wire rope.



Proper guardrail example.

These advisory materials have been developed from national standards and sources believed to be reliable, however, no guarantee is made as to the sufficiency of the information contained in the material and Missouri Employers Mutual Insurance Company assumes no liability for its use. Advice about specific situations should be obtained from a safety professional.

For more information:



www.worksafecenter.com



1.888.499.SAFE (7233)

Missouri Employers Mutual

Work SAFE